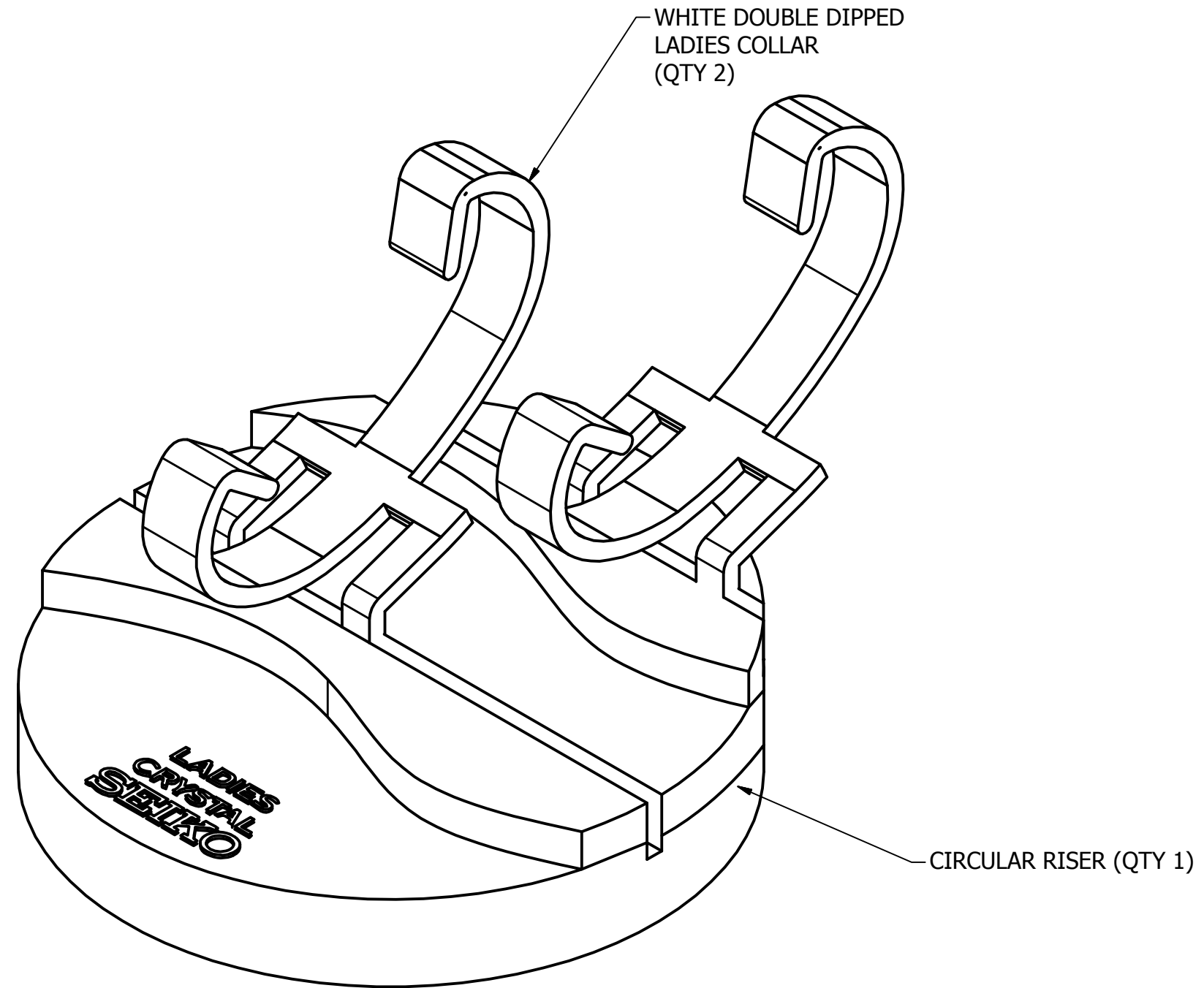


# CIRCULAR 3 STEP RISER

OPTION #2 (QTY 1)

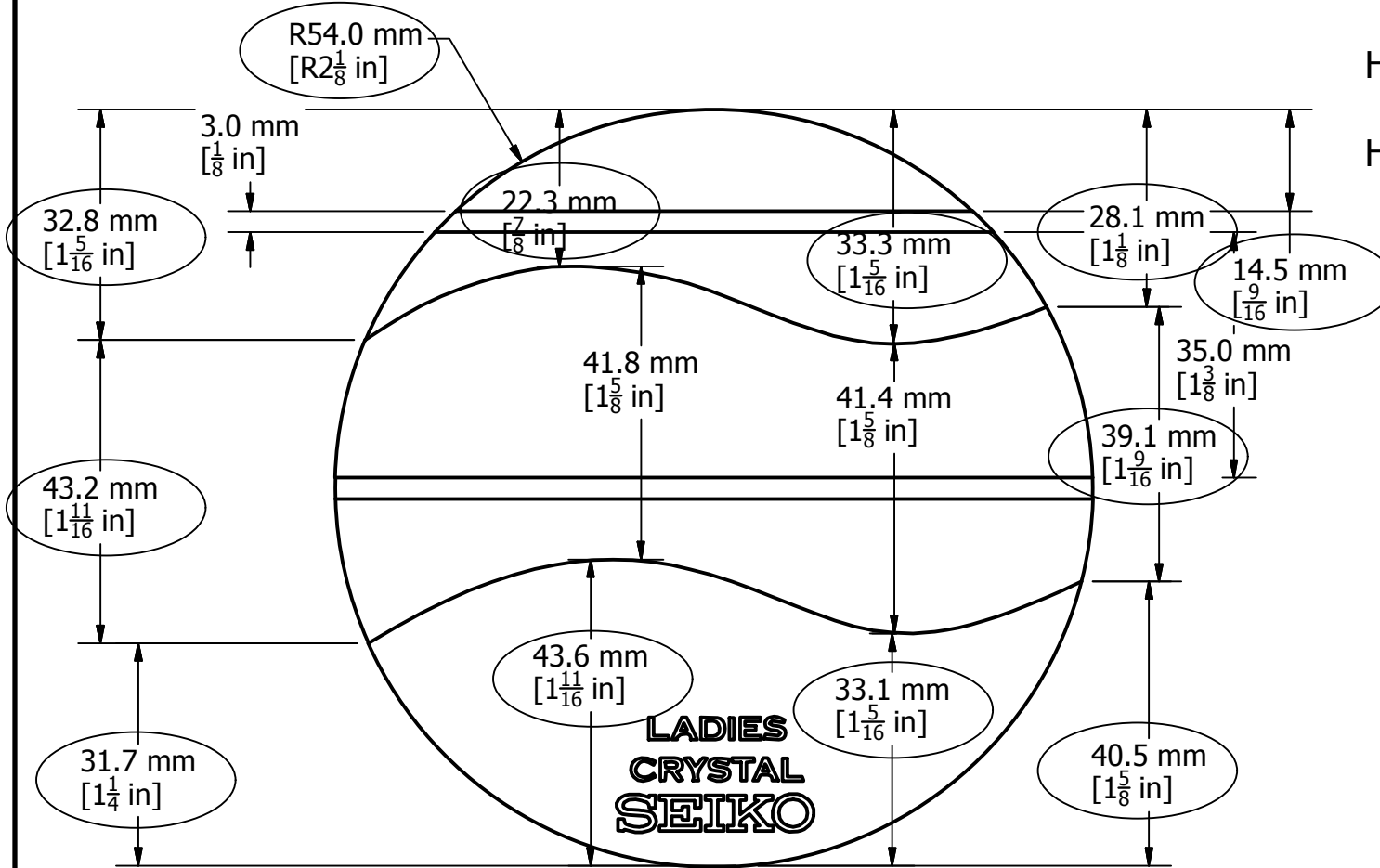


# Chippenhook

CLIENT: SEIKO	DESIGNER: laf	DATE: 9/20/2016	PROJECT # 1817	PAGE: 3 OF 5
DESCRIPTION: LADIES CRYSTAL RISER -	REVISION # 2	FILE: 1817 SEIKO LADIES CRYTAL.dwg		

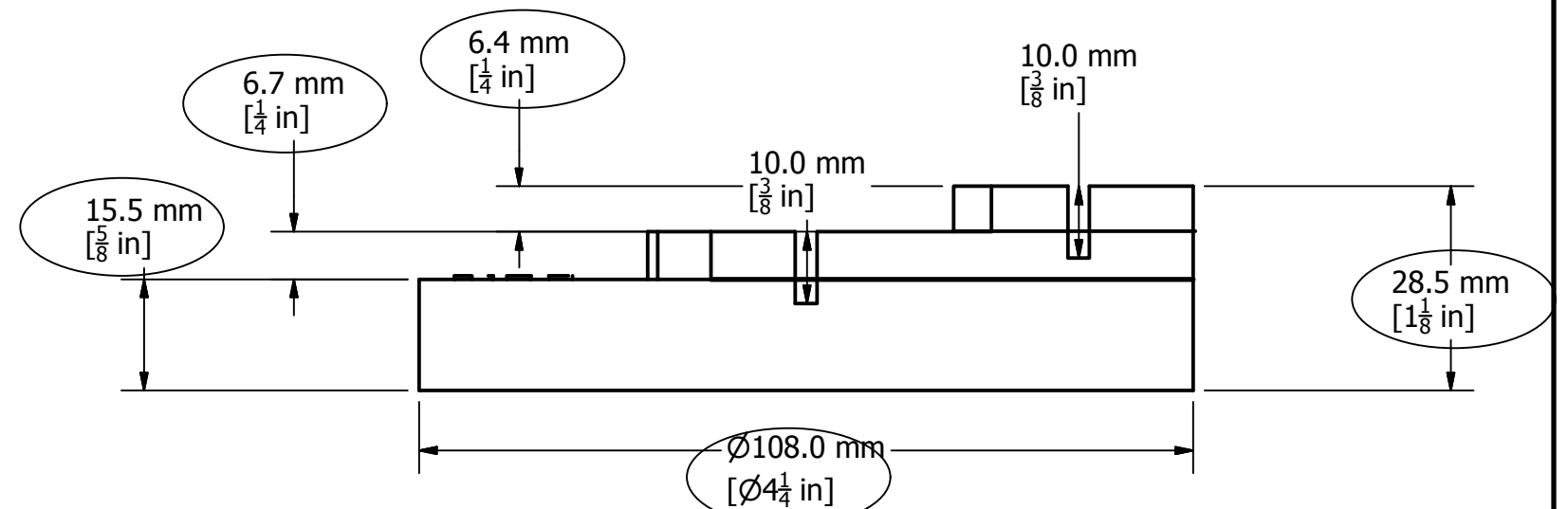
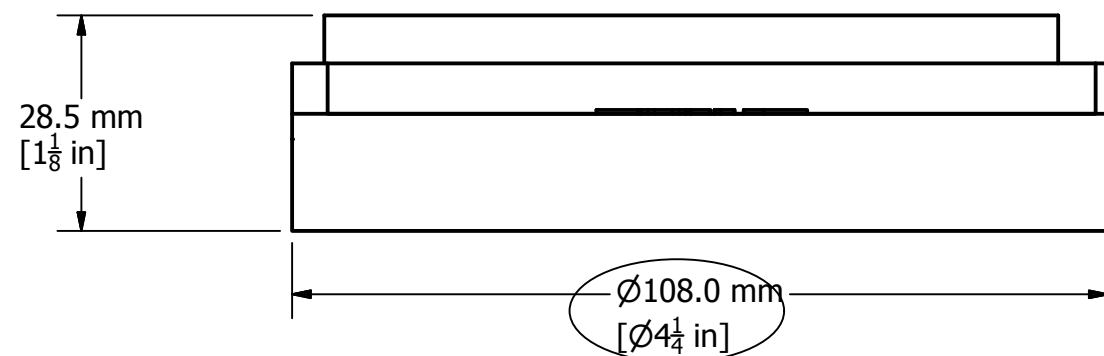
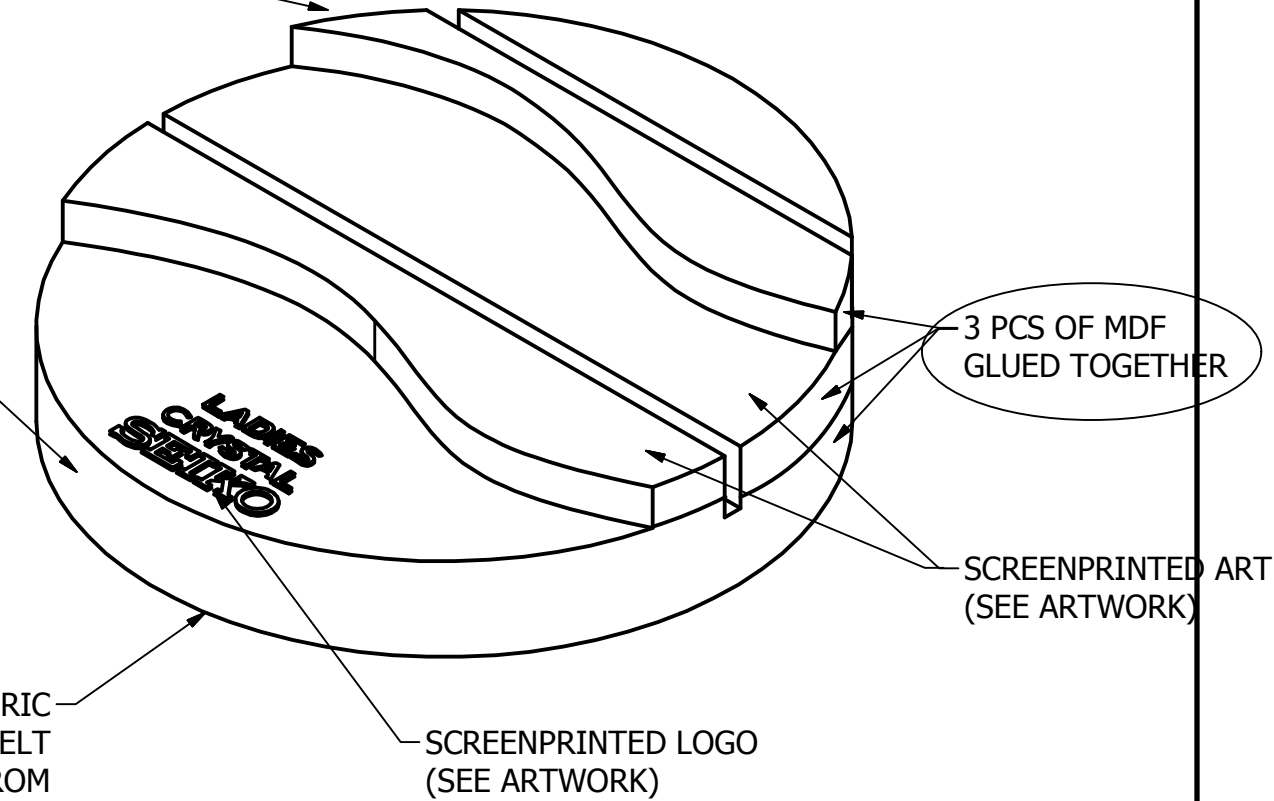
# CIRCULAR 3 STEP RISER

OPTION #2 (QTY 1)



SLOTTED TOP RISER  
MDF PAINTED IN  
HIGH GLOSS WHITE  
FINISH (TO MATCH  
HIGH GLOSS WHITE  
ACRYLIC)

BOTTOM FABRIC  
IN WHITE FELT  
3mm OFFSET FROM  
EDGE

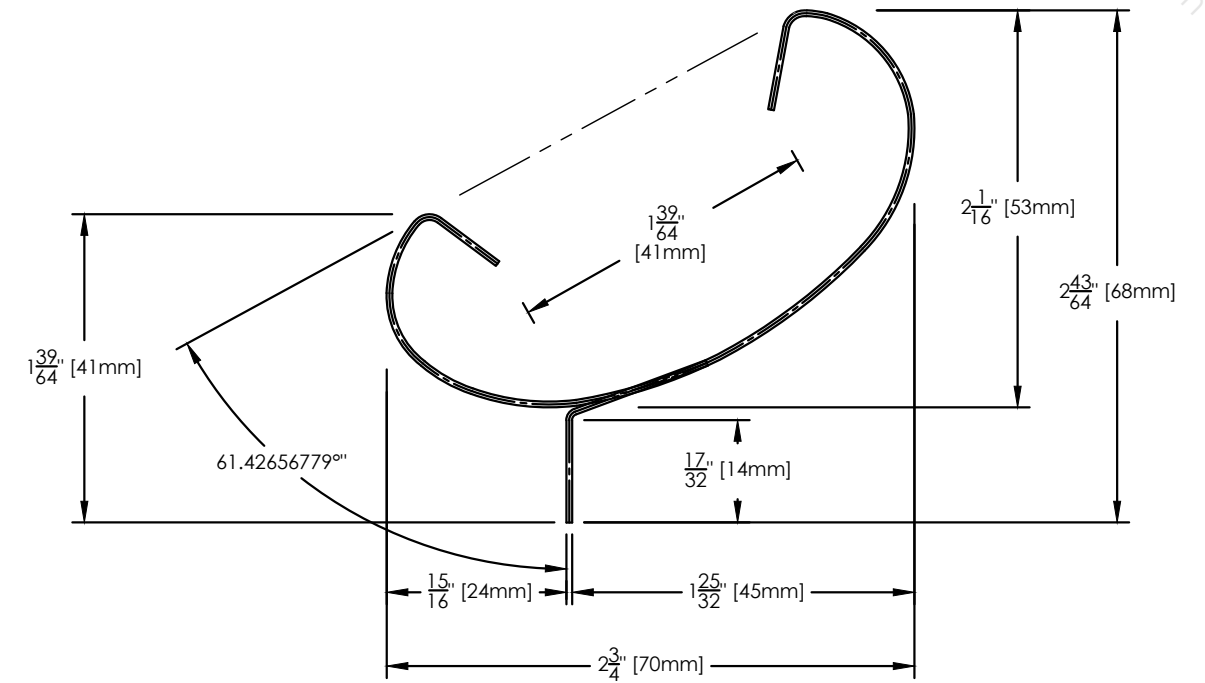
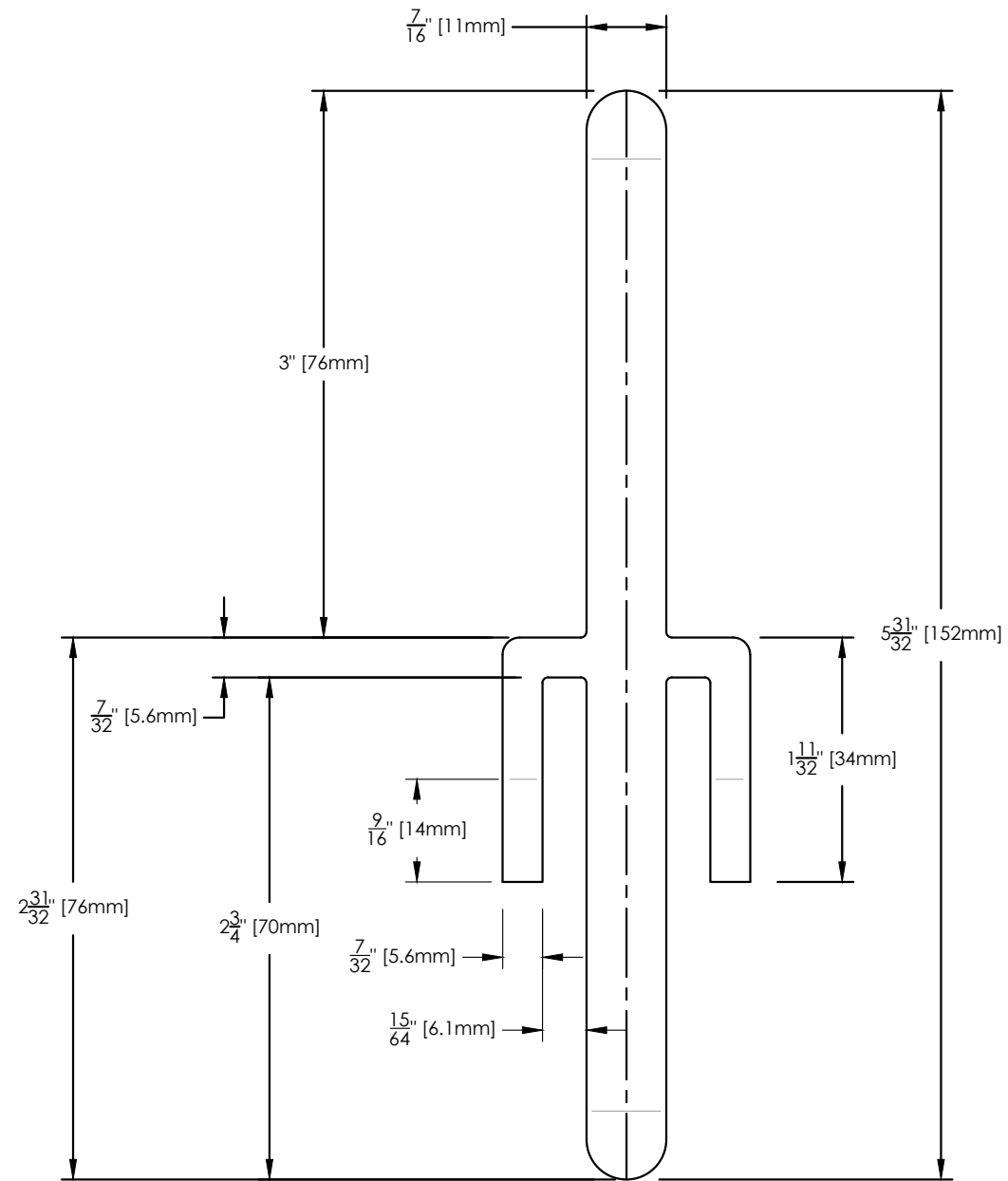


**Chippenhook**

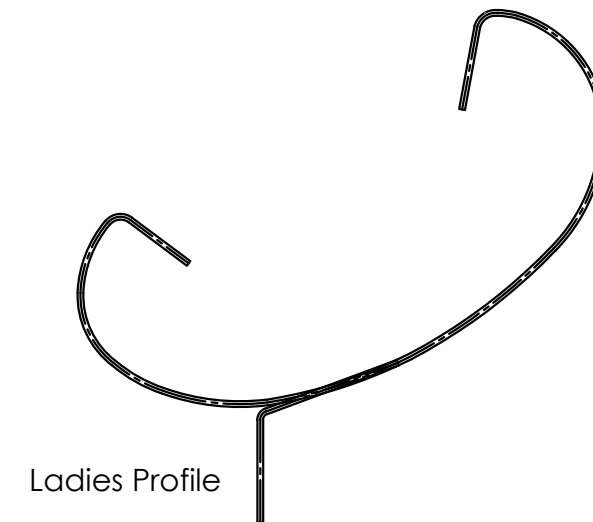
CLIENT: SEIKO	DESIGNER: laf	DATE: 9/20/2016	PROJECT # 1817	PAGE: 4 OF 5
DESCRIPTION: LADIES CRYSTAL RISER -	REVISION # 2	FILE: 1817 SEIKO LADIES CRYTAL.dwg		

# Seiko Watch Collar - Ladies (QTY2)

Proprietary Design  
Property of Vassi Design Group  
Design Not to be Reproduced  
without Written Consent



Ladies Profile



Ladies Profile

\*RAW METAL FLAT COLLAR AND RAW METAL PROFILE FOR SHAPE.

**Chippenhook**

CLIENT: SEIKO	DESIGNER: laf	DATE: 9/20/2016	PROJECT # 1817	PAGE: 5 OF 5
DESCRIPTION: LADIES CRYSTAL RISER -	REVISION # 2	FILE: 1817 SEIKO LADIES CRYTAL.dwg		